

GUARANTEE

FINISHES

Twilight finish - A lifetime guarantee is extended on all products with Cifial UK's Twilight finish installed in residential application.

Chrome Plated - A ten year guarantee is extended on all products with Cifial UK's Chrome Plate installed in residential application.

Gold and Special Finishes - A one year guarantee is extended on all products with Cifial UK's Gold or Special finishes installed in residential application.

MECHANICS

Mechanical Guarantee - A ten year guarantee is extended on all components to be free from failure due to defects in material and workmanship when installed in residential application.

CONDITIONS

Cifial (UK) Limited sets the following conditions on their finish and mechanical guarantee.

- 1 - Guarantee on finish and mechanics are subject to compliance with installation and maintenance instructions.
- 2 - Guarantees do not include damage liability for products abused, incorrectly installed or improperly maintained.
- 3 - Cifial (UK) Limited are not liable for any labour or other costs relative to the sale, installation or replacement of their products.
- 4 - Cifial (UK) Limited guarantees are extended to the original owner. In the event of a product defect, the customer is to return the product to the dealer, where the goods were purchased with a proof of purchase. The dealer will make the necessary arrangements for reconciliation with Cifial (UK) Limited.
- 5 - Cifial (UK) Limited is prepared to meet their guarantee obligation through the repair or replacement of any product deemed to be defective by Cifial (UK) Limited after appropriate examination.
- 6 - The guarantee is effective from date of purchase by the dealer from Cifial (UK) Limited.
- 7 - The statutory rights of the buyer are not affected by these conditions.

DUE TO CONTINUOUS PRODUCT DEVELOPMENT AND IMPROVEMENT, CIFIAL RESERVE THE RIGHT TO ALTER AND AMEND PRODUCT SPECIFICATIONS WITHOUT PRIOR NOTICE.

P CIFIAL - Torneiras, S.A.

Apartado 413
4524-907 Riomeão - Portugal
Telefone: 351 256 780 700
Fax: 351 256 780 710
www.cifial.pt
cifial@cifial.pt

UK CIFIAL (UK) Ltd.

7 Faraday Court
Park Farm Industrial Estate
Wellingborough Northants NN8 6XY.
Phone: 44.1933.402.008
Fax: 44.1933.402.063
www.cifial.co.uk
sales@cifial.co.uk

E CIFIALDECOR, S.A.

Av. del Petroleo, 44
(Pol. Ind. San Jose de Valderas)
28917 Leganes
Madrid - España
Telefono: +34.91.6110261
Fax: +34.91.6103694
cifialdecor@infonegocio.com

USA CIFIAL Brass Works

2935 Anwilier Road
Atlanta, GA 30360-6001 USA
Phone: +1 800 528 4904
Fax: +1 800 528 1969
www.cifialusa.com
info@cifialusa.com

© CIFIAL 2002/11

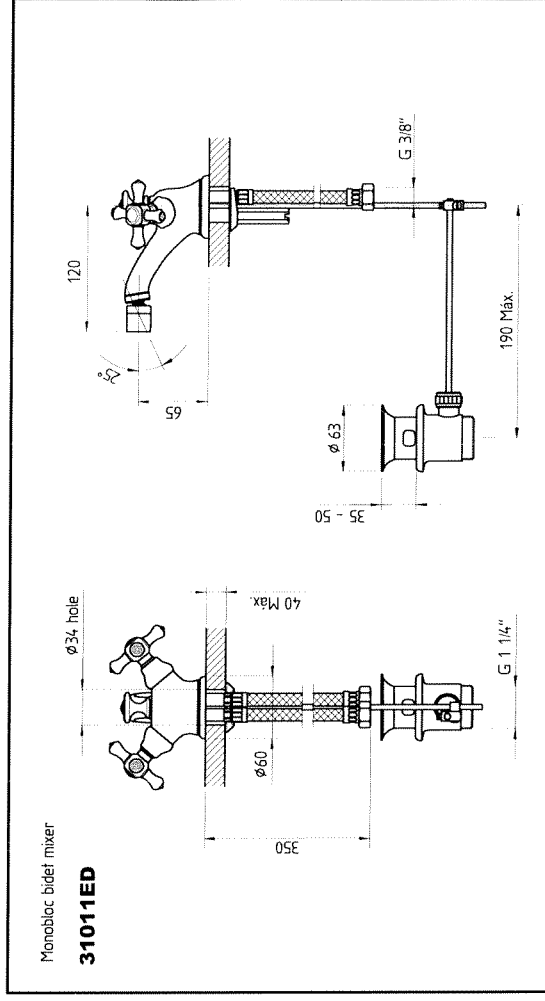
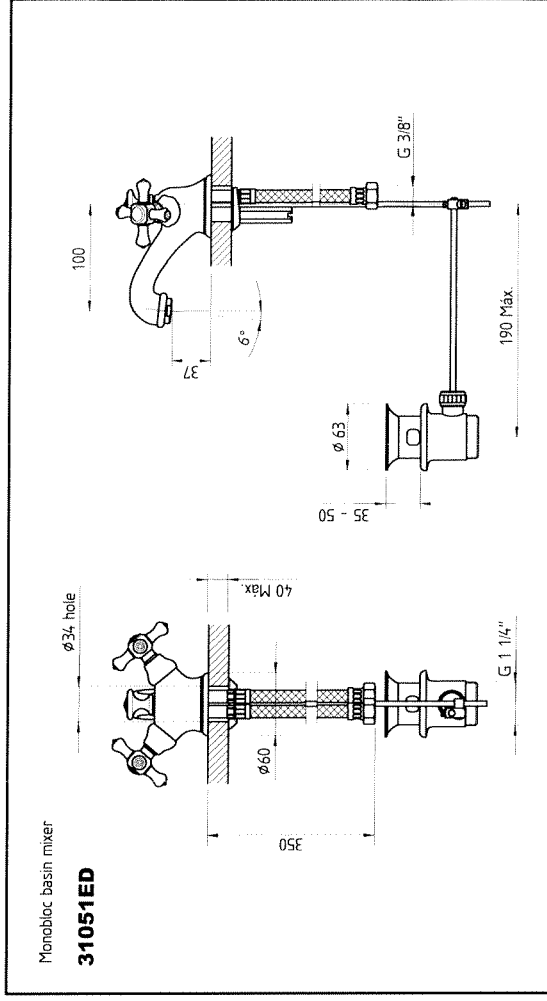
5663135 / 9830D010U02

EDWARDIAN

Installation & Maintenance Instructions

CIFIAL

U.K.



ATTENTION INSTALLER :

Please ensure that these installation & maintenance instructions are left with the end user on completion of the installation

EDWARDIAN

TECHNICAL SPECIFICATIONS

- Valve type -1/2" ceramic disc valve 3/4 turn tested to 500,000 cycles.

- PRESSURE

Minimum working pressure 0.2 bar
 Recommended working pressure 1 - 5 bar
 Maximum working pressure 10 bar
 Test pressure 16 bar

WHERE INLET PRESSURE EXCEEDS 5 bar FIT PRESSURE REDUCING VALVE

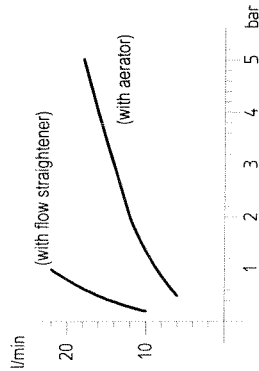
These valves are designed to work on balanced pressure supplies and are suitable for use with tank feed supplies, combination Boiler/Multi-point supplies or supplies from direct mains feed systems.

Subject to minimum/maximum pressure requirements as above

- TEMPERATURE

Minimum working temperature 1°C
 Maximum (at hot water inlet) 85°C
 Recommended temperature range 5°C - 60°C

- FLOW RATE



IF THE PRESSURE IS HIGHER THAN 1 bar REMOVE FLOW STRAIGHTENER AND REPLACE WITH AERATOR PROVIDED

To exchange aerator/ flow straightener unscrew the housing (15.1) from the spout, change the innerpart (flow straightener)(15.2) by the aerator supplied and re-assemble ensuring that washer (15.3) is in the correct position.

Congratulations on your purchase of a Cifial product.

To ensure that this product gives you satisfaction over many years, please follow the simple instructions detailed here.

INSTALLATION INSTRUCTIONS

1. Ensure that supply requirements with regard to pressure and temperature are complied with. (See technical specifications)
2. Fit top half of pop up waste section (1) through basin, fitted with cone shaped sealing washer supplied (2), or sealed with silicone if appropriate. Seat round rubber washer (3) to bottom half of pop up waste section (4) and screw firmly to top half (now projecting through basin waste hole), ensuring on completion that the connection for horizontal pop up rod is facing directly below basin tap hole.
3. Screw stud bar section (6) into base of mixer and flexible connectors (7) into hot & cold inlet ports on base of mixer ensuring that O-ring seat firmly. Fit rubber seal (8) over these and locate mixer tap into basin tap hole.
4. Slide horseshoe brass plate (9) over stud bar section and around flexible tails and screw firmly into place with long hexagonal nut (10). Your basin mixer should now be secure and stable. If mixer moves slightly without excessive force, tighten hexagonal nut a little more.
5. Fit ball end of horizontal pop up rod (11) into connection point on bottom section of pop up waste fitting with seal (13) provided and tighten capnut (5) by hand as tight as possible. Fit link piece (12) to vertical and horizontal pop up rods and tighten screws to both rods. Adjust pop up plug screw section (14) to required length, ensuring that the plug seats properly into waste fitting when plug is down but that plug lifts clear of waste when pop up knob on mixer is depressed, then tighten locking nut firmly. If plug reseats itself into waste when pop up knob on the mixer is released, tighten capnut (5) on bottom section of waste fitting further.

YOUR MIXER IS NOW READY FOR PLUMBING CONNECTIONS

6. Fit 3/8" MBSP connectors (Not Supplied) to ends of copper tube then to female swivel ends of flexible tails with fibre, rubber or PTFE washers.

Please Note: Hot on left and Cold on right when viewed from the front of the mixer

7. Fit 1.1/4" waste trap to bottom section of waste assembly and to waste discharge pipe.

8. Remove aerator or straightener (15) before opening isolation valves to test supplies and flush pipework. Check both supply and waste connections for leakage and flush through thoroughly to remove any sediment from the system. Refit aerator or flow straightener.

MAINTENANCE INSTRUCTIONS

1. Cleaning:

Clean the product with warm soapy water and a soft cloth. Light deposits of scale can be removed by washing with a diluted solution of vinegar and water and rinsing with tepid clean water and drying with a soft cloth.

Never use acid or abrasive cleaning materials.

Periodically the aerator in the mixer spout should be cleaned to remove deposits of scale. Unscrew the aerator (15) from the spout and dismantle. Open the cold tap and rinse the pieces of the aerator under the running water, using a soft brush if necessary then re-assemble and re-fit the aerator.

Do not clean any plastic pieces with products containing alcohol, acetone or any disinfectants.

2. Valve Maintenance:

Turn off hot and cold water supply. Check it is off by opening the mixer.

To access the valve body, pull up and off the decorative piece of the tap handwheel, remove the now exposed screw thereby enabling removal of the main section of the handwheel. Unscrew the valve cover (16). Unscrew the large hexagon section of the valve body (17) from the tap body. Flush through thoroughly and re-fit, do not disassemble the valve. For further information contact Cifial (UK).

3. Finish Protection:

If the mixer is fitted in an area not frequently used, ensure that evaporation does not cause the water level in the trap to diminish as the fumes from the drain can be harmful to plated finishes, simply run the tap once a week for a few seconds.