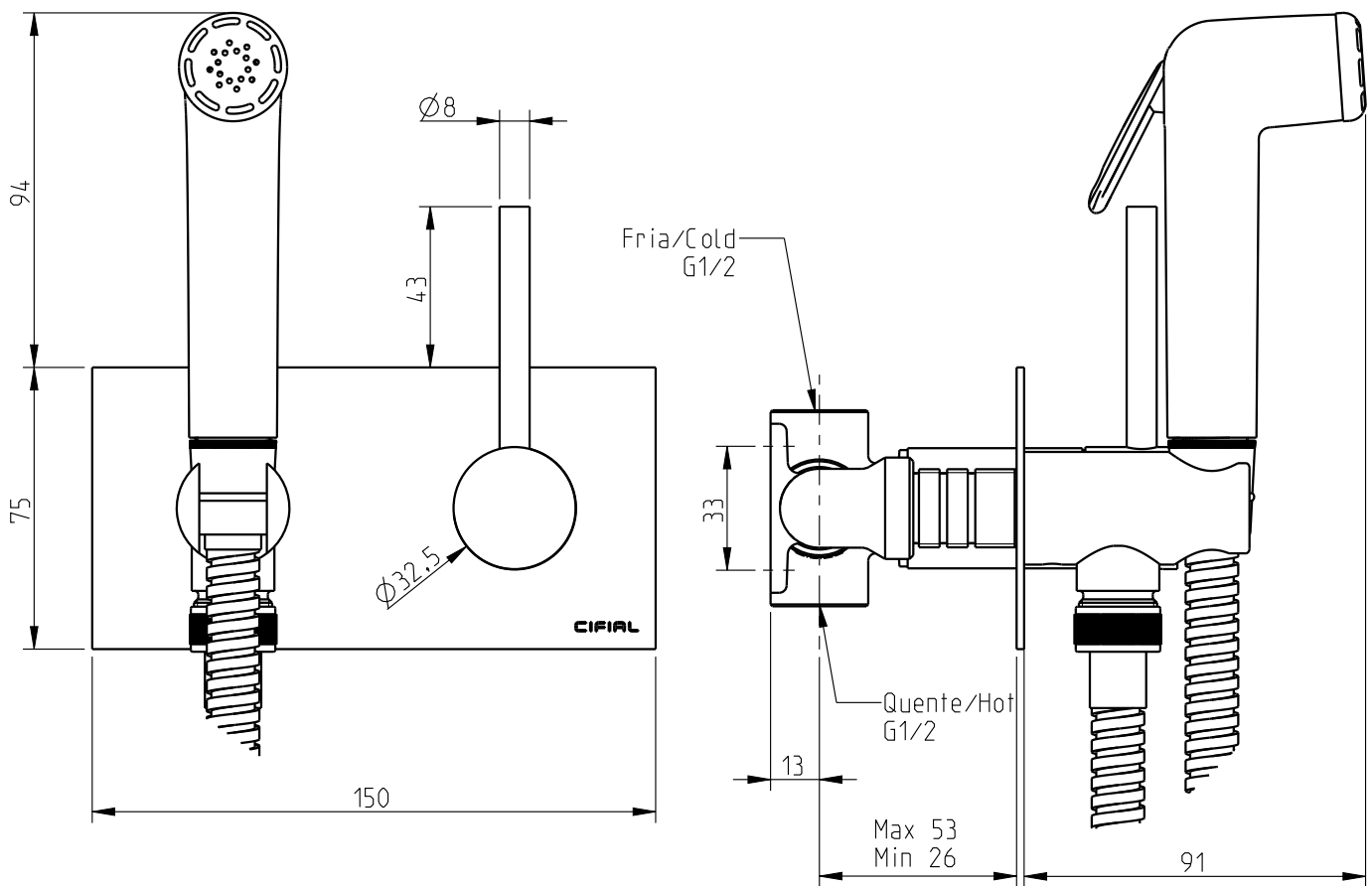


## Style 25

Cj. shut off ST 25

Shut off Style 25



**Nota/Note:**

xxx representa diferentes acabamentos  
xxx represents different finishes

**Instalador/Installer:**

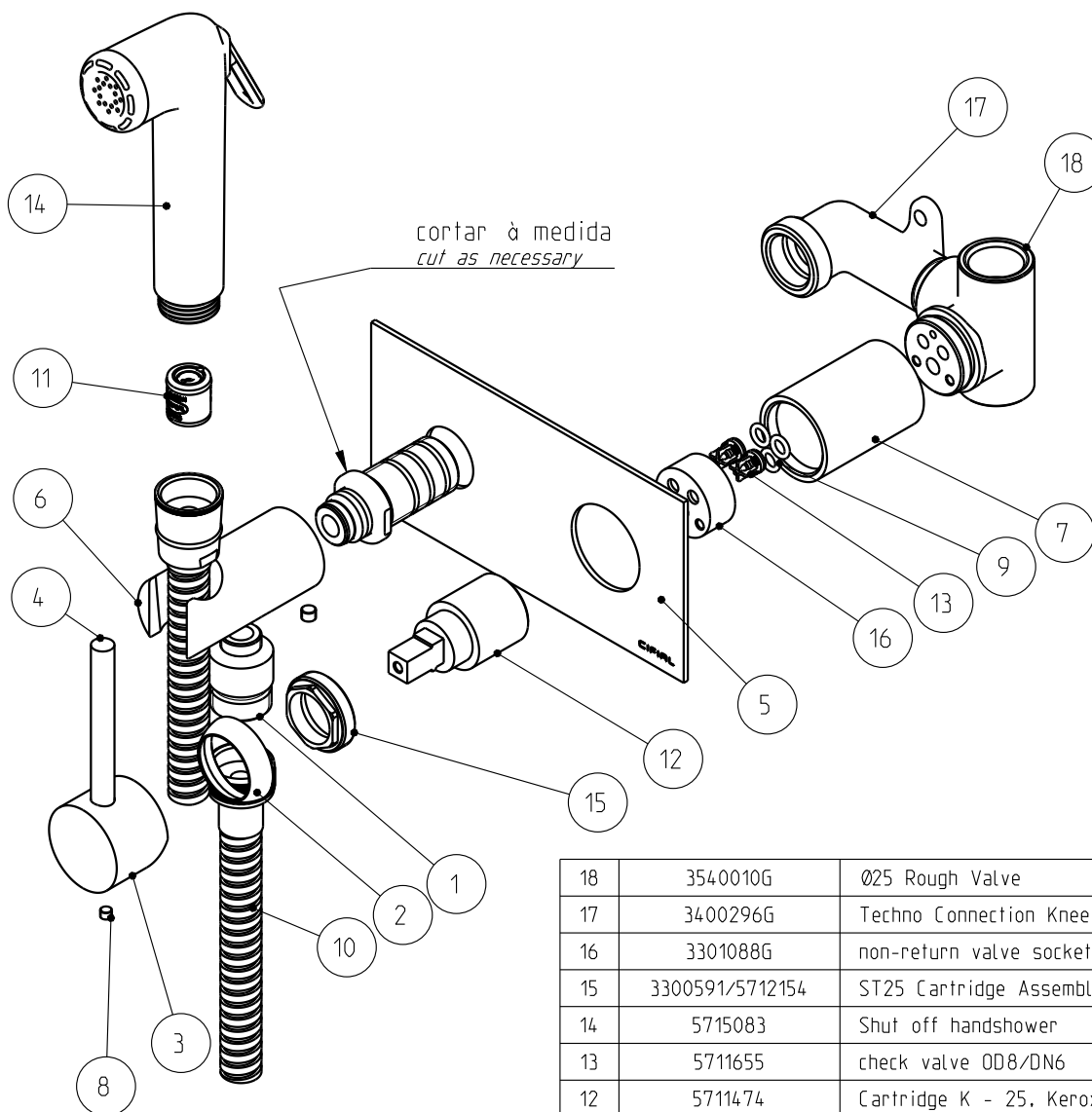
Por favor entregue todas as especificações que acompanham o produto ao seu proprietário.  
Please leave all leaflets with the building owner to file for future reference.

dimensões/dimensions: mm

## Style 25

Cj. shut off ST 25

Shut off Style 25



18	3540010G	Ø25 Rough Valve
17	3400296G	Techno Connection Knee
16	3301088G	non-return valve socket
15	3300591/5712154	ST25 Cartridge Assembly Nut
14	5715083	Shut off handshower
13	5711655	check valve OD8/DN6
12	5711474	Cartridge K - 25, Kerox
11	5711302	check valve DW15GF
10	5710207	G1/2-G1/2 1,2m hose
9	5310053-178	O-ring 5.28x1.78 70NBR
8	5020282	Set Screw ISO4027-M4x4-A2
7	3880030-XXX	ST25 Tap Body
6	3450899-XXX	handshower hook
5	3449117-XXX	ST25 Face Plate
4	3410065-XXX	Handle Lever
3	3410064-XXX	body handle
2	3400246-XXX/5712155	Cartridge Cover
1	3300829-XXX	Forwork Hose outlet
<b>Pos</b>	part number	<b>Description</b>

**Nota/Note:**

xxx representa diferentes acabamentos  
xxx represents different finishes

**Instalador/Installer:**

Por favor entregue todas as especificações que acompanham o produto ao seu proprietário.  
Please leave all leaflets with the building owner to file for future reference.